

Kitchen Design Expo

11395 Folsom Blvd. Rancho Cordova, CA 95742

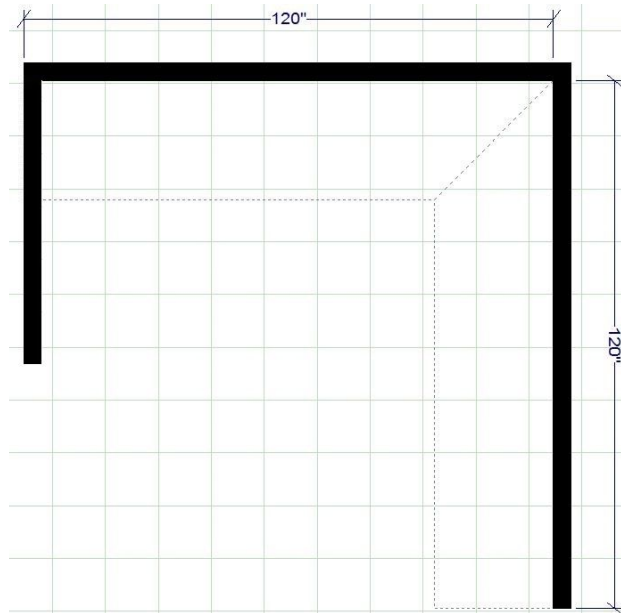
Tel: (916) 930-1928 / Fax: (916) 930-1918

jz@kitchendesignexpo.com

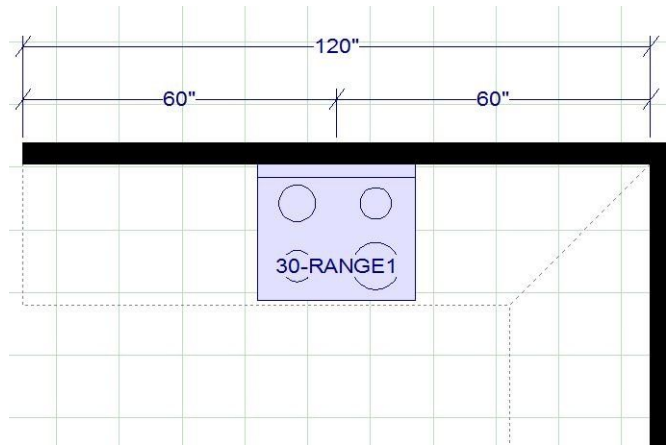
Measuring Your New Kitchen

(Use the same steps for L-Shape, Galley, or U-Shape)

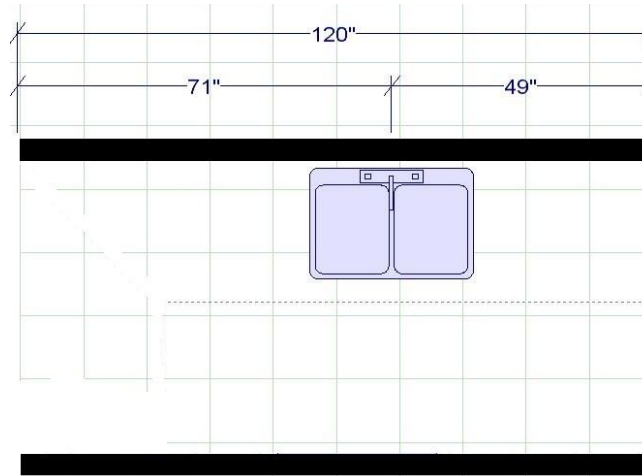
1. Draw out the shape of your kitchen and measure your walls in inches



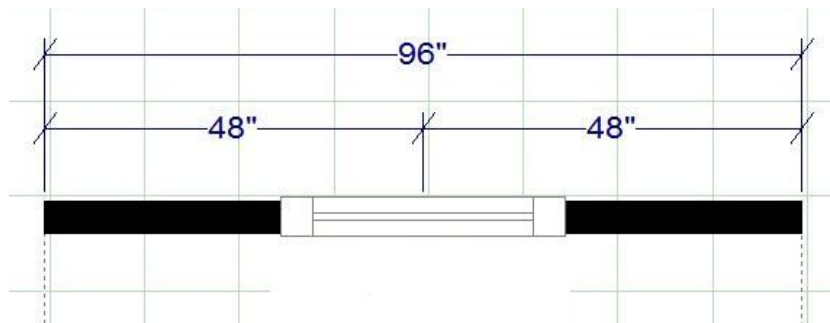
2. Measure from the end of one wall to the middle of your stove



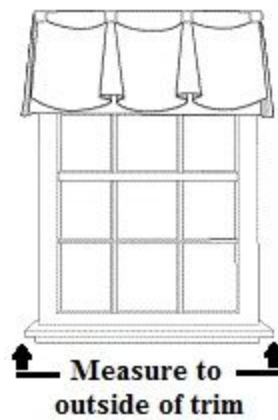
3. Measure from the end of one wall to the middle of your sink



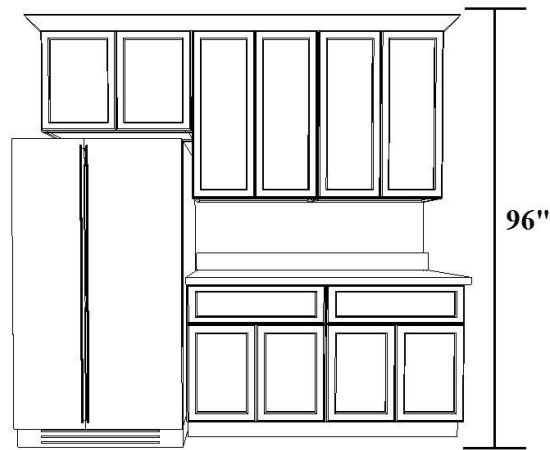
4. Measure from the end of one wall to the middle of any window



5. Measure the length of any windows from the outside trim



6. Measure the floor to ceiling height



7. E-mail your sketch to our designer or bring in your measurements today!
jz@kitchendesignexpo.com

